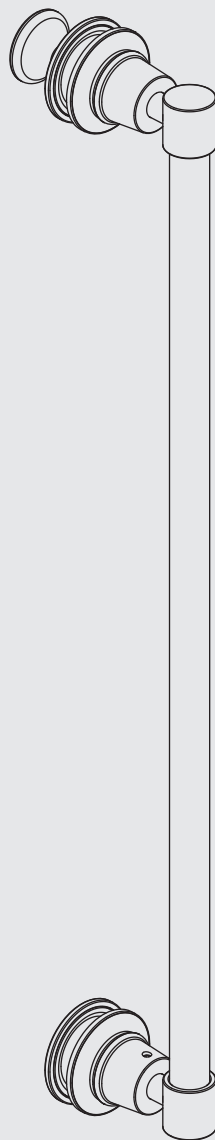




INSTALLATION INSTRUCTIONS

M2-5470

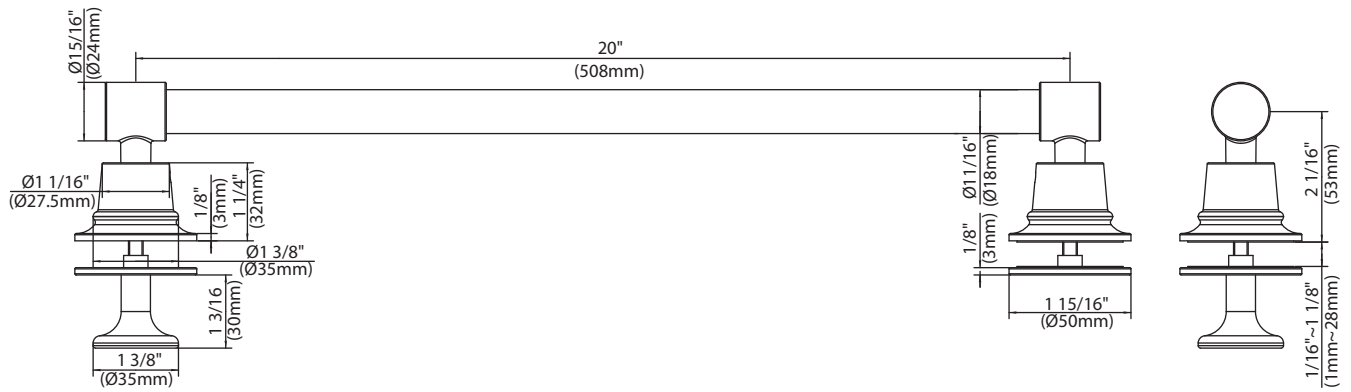
FLEETWOOD 20" SHOWER DOOR HANDLE WITH SINGLE AND DOUBLE MOUNTING KIT



LEFROY BROOKS

Dimensions

M2-5470

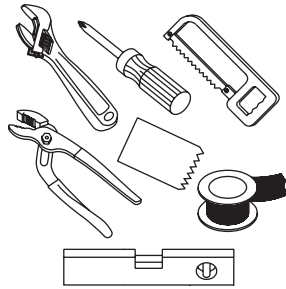


Whilst every effort is made to ensure accuracy, design and dimensions are subject to change without notice as part of the company's product development process.

What you need to know

Tools:

Adjustable Wrench
Groove Joint Pliers
Hacksaw
Phillips Screwdriver
Pipe Tape
Spatula
Spirit Level



Maintenance

Your new bathroom faucet is designed for years of trouble-free performance.

Keep it looking new by cleaning it periodically with a soft cloth. Avoid abrasive cleaners, wire wool and harsh chemicals as these will dull the finish and void your warranty.

Safety Tips

If you are soldering during faucet installation, remove cartridges, seats, gaskets and washers prior to applying flame, otherwise you will void the warranty.

Cover drain openings to avoid losing small parts.

When cutting or soldering pipe, use safety glasses to protect your eyes.

Important Points

Prior to beginning installation, turn off the cold and hot water lines and open the old faucet to release built-up pressure.

Overtightening nuts may cause damage.

Wrap all threaded connections with pipe tape available at your local plumbing supply store. Always wrap in a clockwise direction. The fittings should be installed by a state-licensed plumber.

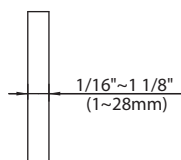
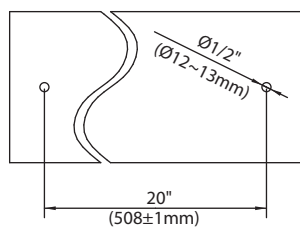
Things You May Need

Correct installation may vary depending on previous faucet installation. All necessary supplies required for faucet installation are not included, but may be found where plumbing supplies are sold. It is suggested that IAPMO and/or CSA approved plumbing supplies are used during installation.

Steps 1-3

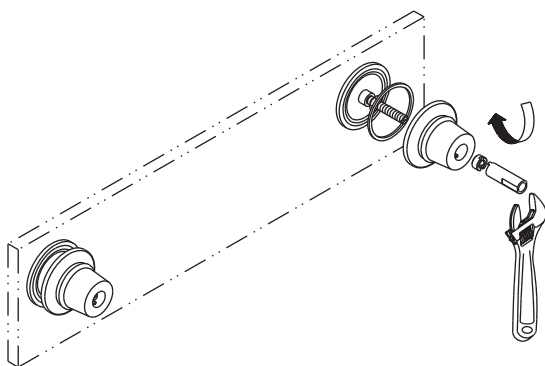
Installation Procedure

Lefroy Brooks always recommends that plumbing products be installed by a licensed professional. Shut off main water supply before installation.



1

2



3

1 Before installation, make sure the dimensions for the shower door are as indicated above. Please note: this product can also be orientated vertically.

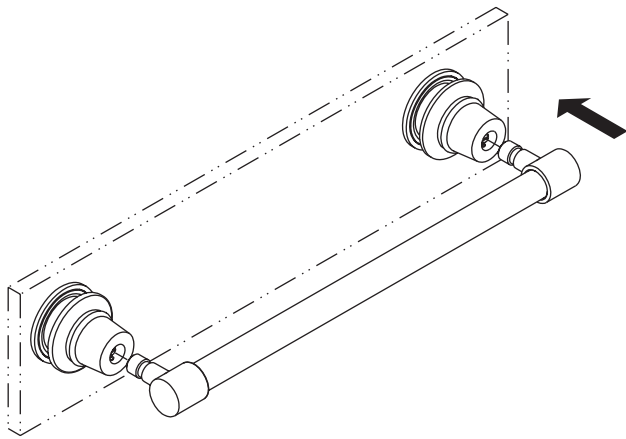
2 Screw the stud bolt into the decorative nut with the rubber washer attached.

3 Insert the stud bolts through the holes. Attach the brackets and rubber washer on to the stud bolts and fix them with the nuts.

Steps 4-5

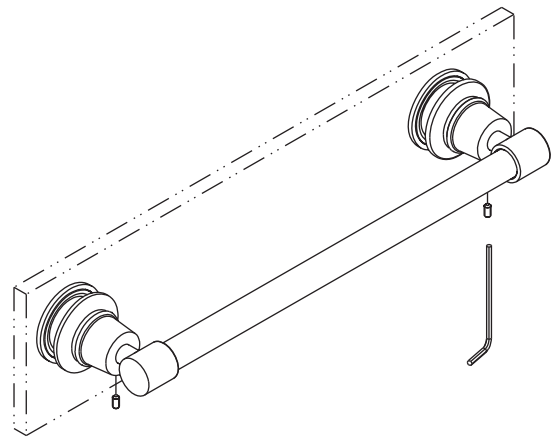
Installation Procedure

Lefroy Brooks always recommends that plumbing products be installed by a licensed professional. Shut off main water supply before installation.



4

4 Attach the door handle on to the brackets. In case the holes on the brackets are not in line with the handle's posts, please return to step 3 - loosen the nuts a little to adjust to the proper distance between the two brackets, then fix the nuts again.



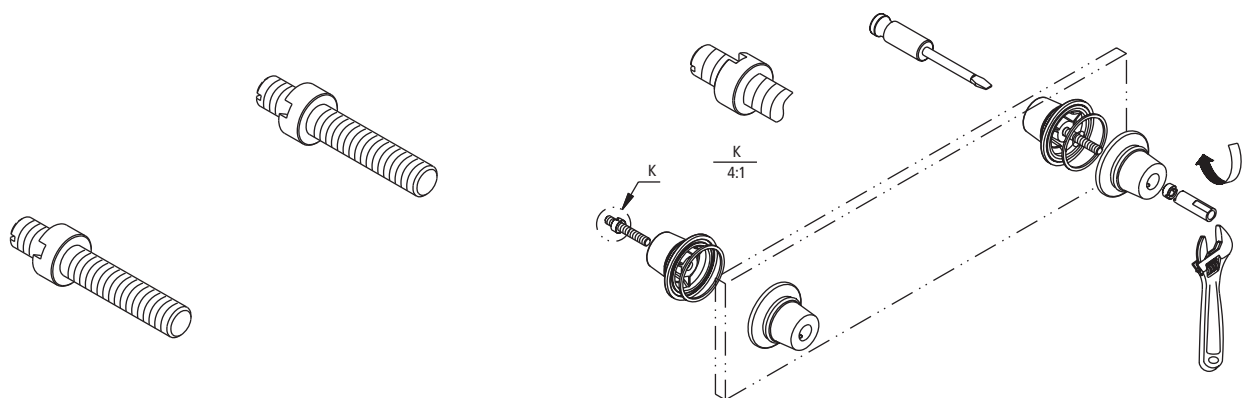
5

5 Fix the handle tightly with set screws.

Steps 6-7

Installation Procedure

Lefroy Brooks always recommends that plumbing products be installed by a licensed professional. Shut off main water supply before installation.



6

7

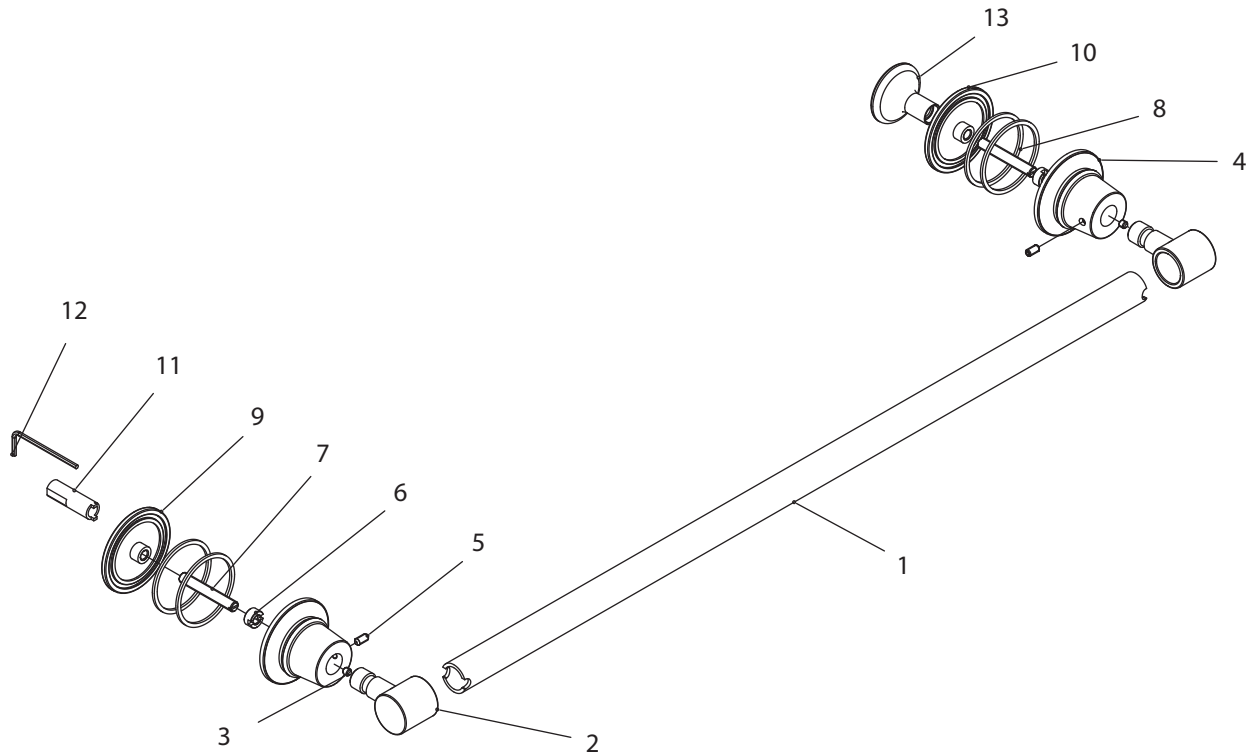
6 In case you are buying two sets of this product and want to convert them into a double shower door handle, please take the following steps. Firstly, screw the stud bolts into the nuts. Please note: the slots on the bolt and nut have to be on the same side.

7 Insert the stud bolts (please take note on the direction as the figure shows) through the brackets, rubber washers and holes in turn. Stop the stud bolt rotating with a screwdriver bracing it. meanwhile, attach the brackets on the other side to the stud bolts and fix them with the nuts.

Exploded View

Parts List

M2-5470



1	Rail (258136-X)	6	Nut (009348)	11	Wrench (031272)
2	Post (244044)	7	Stud bolt (017251)	12	Allen key (031003)
3	Set screw (065086)	8	Rubber washer (058171)	13	Pull-knob (259138)
4	Bracket (245029)	9	Decorative nut (243048)		
5	Set screw (292001)	10	Decorative nut (243218)		

For additional assistance or service call

718-302-5292

9am to 5pm EST Monday to Friday



LEFROY BROOKS

www.lefroybrooks.com

LEFROY BROOKS INC, 1828 TROUTMAN STREET, RIDGEWOOD, NY, 11385
TELEPHONE: 718-302-5292. FAX: 718-302-4177

The use of trademarks, product design and artwork is subject to licence or agreement with LBIP Ltd. The design registrations, trademark registrations and copyrights are protected by law and the use or reproduction outside the terms of an agreement is prohibited. The right to modify designs and dimensions is reserved. Christo Lefroy Brooks is a member of ACID (Anti Copying in Design).

© LBIP LTD 2012